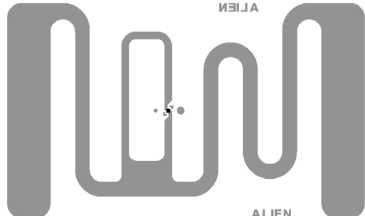




ALN-9728-35 (RE-PITCHED)

“GT” GARMENT TAG INLAY

The Alien Technology® ALN-9728-35 “GT” is a 30mm x 50mm RFID inlay specifically designed for high read performance in the retail and apparel markets. This tag has a form-factor especially suitable for hang-tags.



Applications

- Retail
- Apparel
- Hang-tags
- Joker tags
- Labels
- Document tracking

FEATURE	DESCRIPTION	BENEFIT
30mm x 50mm form-factor	Designed to fit the form-factor and everyday retail use cases where items are tightly packed on shelves or hangers	Extremely high read-rates in real-life, every day retail environments
Tuned for use in retail environments with packed shelves or hanging garments		
Next generation Higgs™ 4 features and performance	A mass-market optimized tag with class leading read and write performance. Supports pre-encoded MCS serialization and Aliens <i>BlastWrite</i> ™	Rapid programming of serialized tags and excellent read/write performance

Features:

- › Designed to meet EPCglobal Gen2 (V1.2.0) and ISO/IEC 18000-6C
- › Worldwide operation in the RFID UHF bands (840-960 MHz)
- › 448-Bits of NVRAM Memory
 - 128-EPC Bits
 - 128 User Bits
 - 64 Bit Unique TID
 - 32 Bit Access and 32 bit Kill Passwords
- › Pre-Programmed with a unique, unalterable 64-bit serial number
- › User Memory can be Block Perma-Locked as well as read password protected in 32 Bit Blocks
- › Class leading read and write performance
- › Pre-encoded Multivendor Chip Serialization (MCS)
- › *BlastWrite*™ and *QuickWrite*™ mass-encoding
- › Dynamic Authentication™ - anti-cloning/anti-counterfeit technology
- › Exceptional operating range, up to 11m with appropriate antenna.
- › Available in high-yield, high capacity dry/wet inlay rolls

Product Overview:

Powered by Alien®’s break-through **Higgs™ 4 UHF RFID IC** and **innovative “GT” antenna design**, the ALN-9728-35 delivers industry leading EPC Gen 2 performance and reliability for retail and apparel applications where items are tightly packed on shelves or hangers.

With its Higgs-4 core, the “GT” delivers next generation read and write performance, yet is completely **optimized for the highest volume enterprise, retail, and automotive applications.**

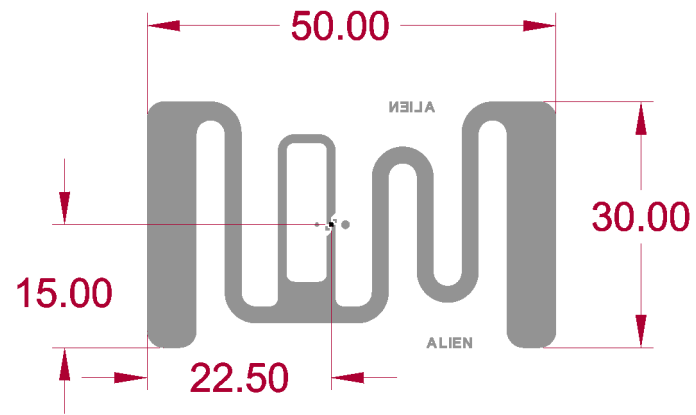
An optimized memory footprint includes a 32-bit TID, a **64-bit Unique TID for authentication** and **next generation serialization** applications, a 128-bit EPC memory bank, 128-bits of user memory for distributed data applications, and **password protected read and write** support capabilities to prevent unauthorized viewing and modification of the tag’s data.

ALN-9728-35 inlays are World Tag compliant, enabling consistent operation across the diverse frequencies of the Americas, Europe, Middle East, Asia, and Africa.

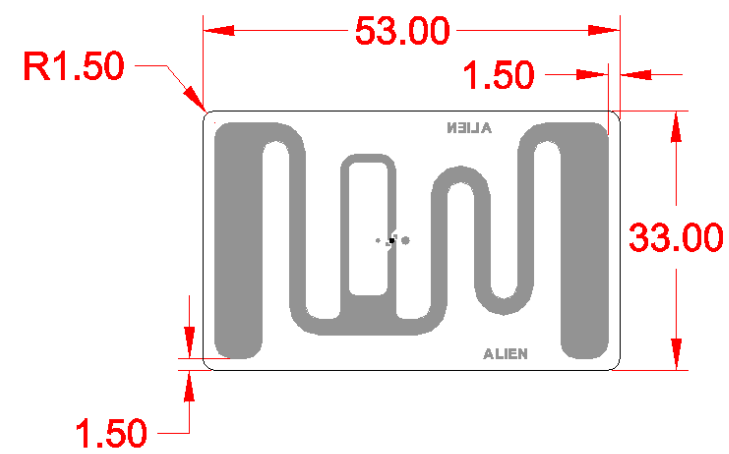


All dimensions in millimeters unless specified otherwise

ALN-9728-35 Basic Dimensions

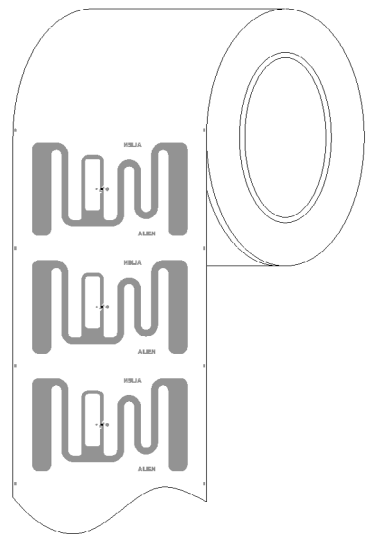


ALN-9728-35 Dry

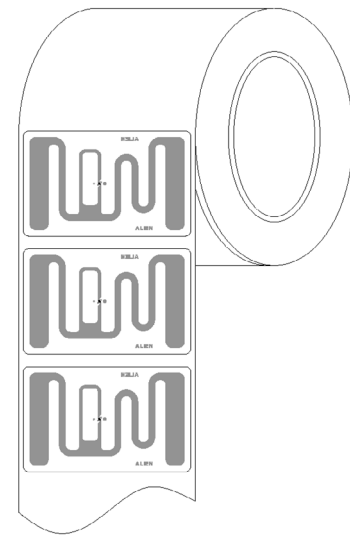


ALN-9728-35 Wet

ALN-9728-35 Inlay Orientation



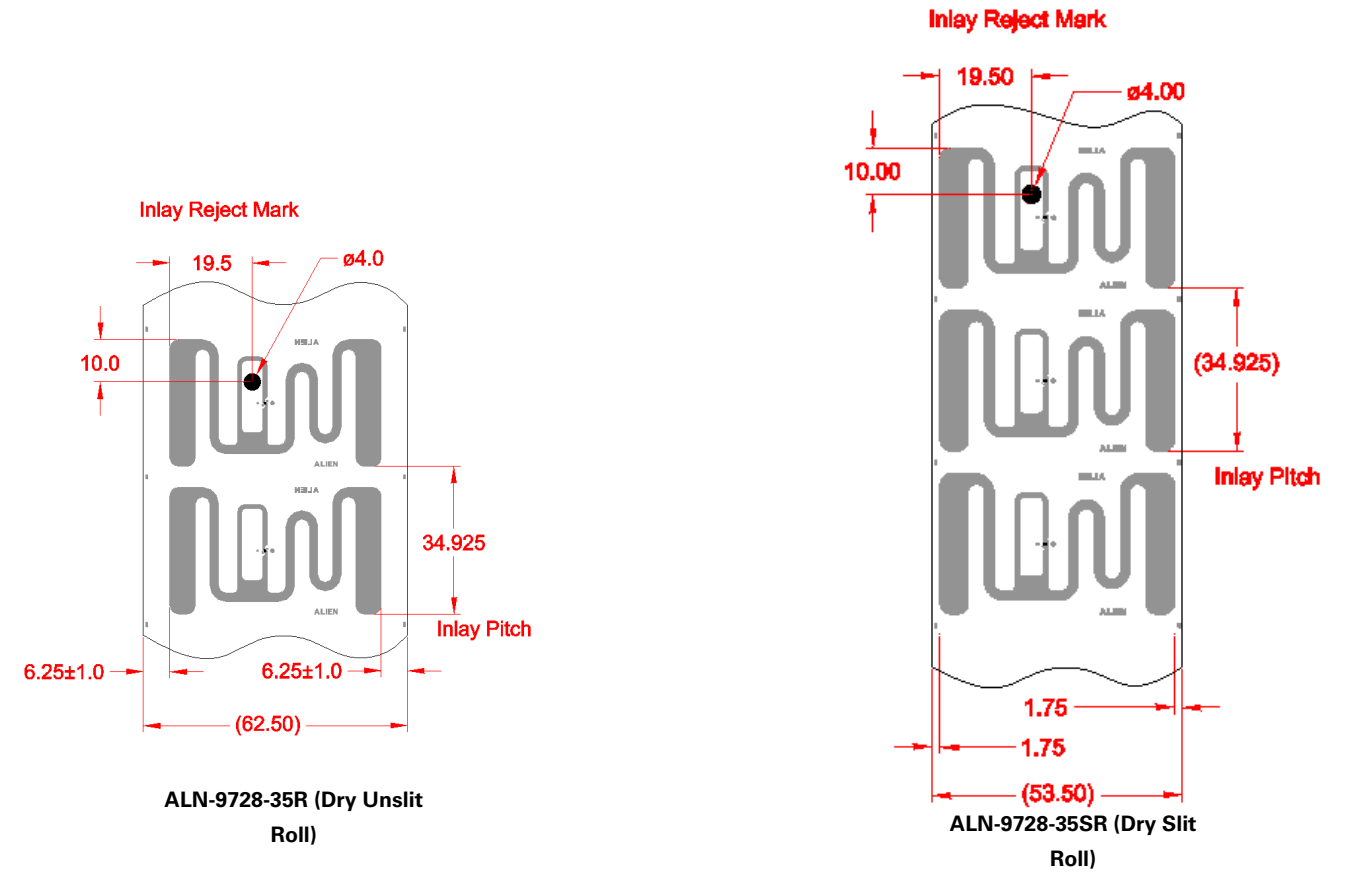
ALN-9728-35R (Dry Unslit Roll) and ALN-9728-35SR (Narrow Dry Unslit Roll)



ALN-9728-35WRW (White Wet Roll)

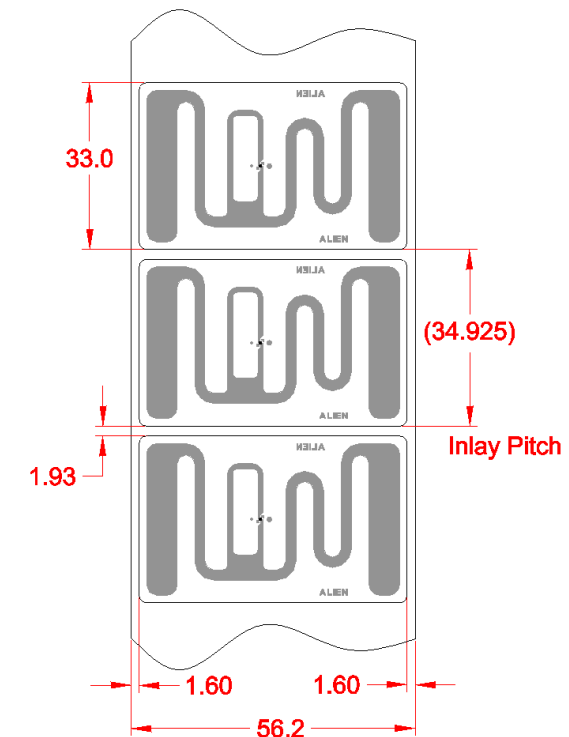
Standard Alien Inlay rolls unwind with metal antenna side facing outward, with respect to the core.

ALN-9728-35 Inlay Specification



ALN-9728-35R (Dry Unslit Roll)

ALN-9728-35SR (Dry Slit Roll)



ALN-9728-35WRW (White Wet Roll)

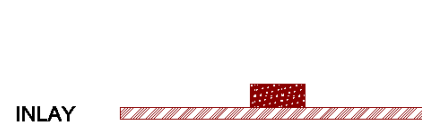


ALN-9728-35 "GT" Garment Tag Inlay (Re-Pitched)

ALN-9728-35 Inlay Stackup

DRY INLAY THICKNESS, ±10%	
OVER ANTENNA	0.05 mm
OVER CHIP	0.25 mm

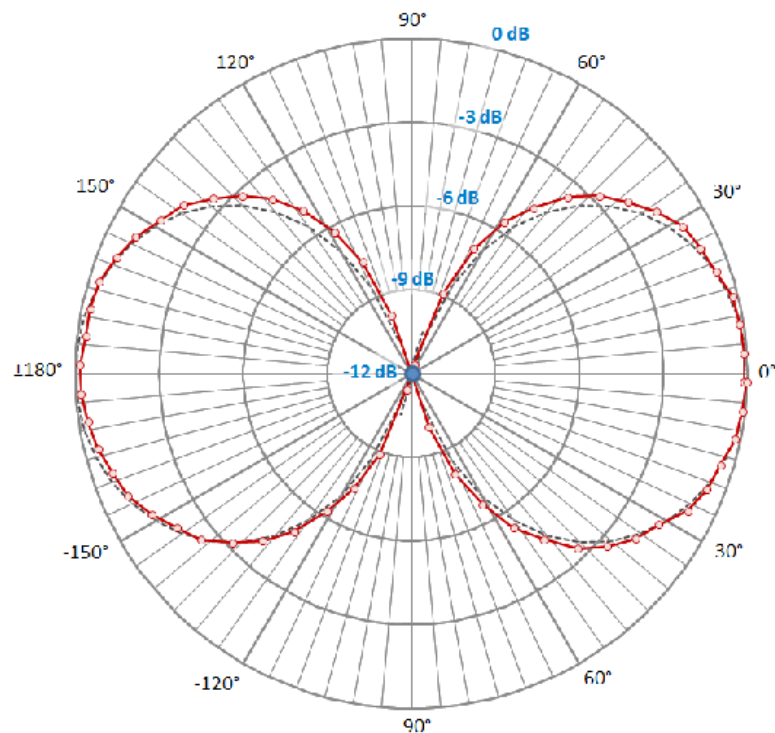
WHITE WET INLAY THICKNESS, ±10%	
OVER ANTENNA	0.16 mm
OVER CHIP	0.36 mm



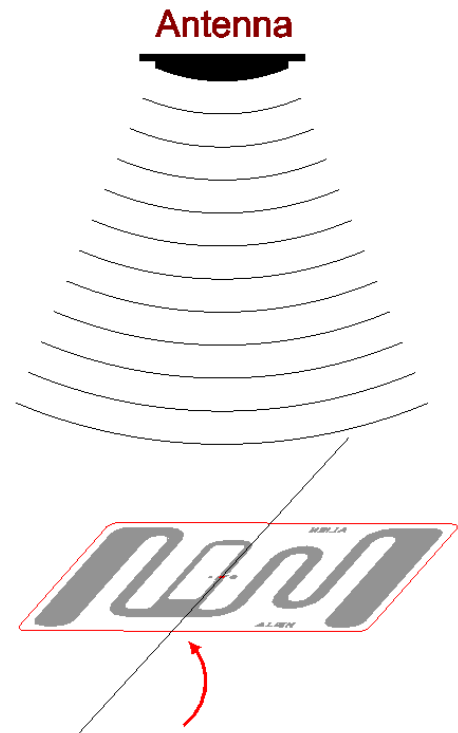
ALN-9728-35R (Dry Unslit Roll) and ALN-9728-35SR (Narrow Dry Unslit Roll)

ALN-9728-35WRW (White Wet Roll)

ALN-9728-35 Inlay Angular Sensitivity



Angular Sensitivity (Relative Read Range vs. Orientation)



Angular Sensitivity Inlay is rotated in the x, y, plane about the z axis



ALN-9728-35 "GT" Garment Tag Inlay (Re-Pitched)

ALN-9728-35 Specifications

Dry Inlay	Non-Rotated ALN-9728-35R	Non-Rotated Narrow ALN-9728-35SR	Environmental
Antenna Width	1.97" [50mm]	1.97" [50mm]	Shelf Life
Antenna Length	1.18" [30mm]	1.18" [30mm]	2 years at +77°F [+25°C] @ 40% RH
Web Width	2.46" [62.5mm]	2.11" [53.5mm]	Recommended Storage
Web Pitch	1.375" [34.92mm]	1.375" [34.92mm]	+77°F [+25°C] @ 40% RH
Core Width	2.46" [62.5mm]	2.11" [53.5mm]	Storage Limits
Core ID	6" [152.4mm]*		-13°F to 122°F [-25°C to +50°C]
Core Material	Fiberboard		20% to 90% RH Non-condensing
Inlays per Roll	12,500 Nominal	14,000 Nominal	Operating Limits
Maximum Roll OD	< 12" [304.8mm]		-40°F to +158°F [-40°C to +70°C]
Roll Labeling Data	Roll #, Quantity		20% to 90% RH Non-condensing
			Bend Diameter
			> 1.97" [50mm]
			Pressure
			< 5N/mm²
			Drop Resistance
			Per ASTM D5276
			Write Cycles
			100,000 @ 25°C
			RoHs
			2002/95/EC, 2005/618/EC, 2011/65/EU Compliant
			REACH
			1907/2006/EC Compliant (SVHC and ECHA)
			ESD Limit- HBM / CDM
			5.0kV / 1.5kV

Wet Inlay	Non-Rotated ALN-9728-35WRW	RFID
Inlay Width	2.09" [53.0mm]	Protocols Supported
Inlay Length	1.30" [33.0mm]	ISO/IEC 18000-6C
Web Width	2.21" [56.2mm]	EPCglobal Class 1 Gen 2
Web Pitch	1.375" [34.92mm]	Integrated Circuit
Core Width	2.21" [56.2mm]	Alien Higgs-4
Core ID	6" [152.4mm]*	Operating Frequency
Core Material	Fiberboard	840-960 MHz
Inlays per Roll	12,500 Nominal	EPC Size
Maximum Roll OD	< 16" [406.4mm]	128 Bits
Roll Labeling Data	Roll #, Quantity	User Memory
White	TT Printable White Film Only	128 Bits
Overlay Adhesive	General Purpose Permanent	TID
Inlay Adhesive	General Purpose Permanent	32 Bits
Adhesive Application Temperature	> +25°F [-4°C]	Unique TID
Adhesive Service Temperature	-40°F to +200°F [-40°C to +93.3°C]	Access Password
Release Liner	40# SCK	32 Bits
		Kill Password
		32 Bits

* Shipped with 6" to 3" plastic core adapter

December 15, 2014

Copyright © 2014 Alien Technology LLC. All rights reserved. Alien, Alien Technology, the Alien Technology logo, Spider, Higgs, Dynamic Authentication, QuickWrite, BlockWrite, Squiggle, and the Squiggle logo are trademarks or registered trademarks of Alien Technology Corporation in the U.S. and other countries. HANDLING PRECAUTIONS Observe standard handling practices to minimize ESD. DISCLAIMER Application recommendations are guidelines only - actual results may vary and should be confirmed. This is a general purpose product not designed or intended for any specific application.

This product is covered by one or more of the following U.S. patents: 7967204, 7931063, 7868766, 7737825, 7716208, 7716160, 7688206, 7659822, 7619531, 7615479, 7598867, 7580378, 7576656, 7562083, 7561221, 7559486, 7559131, 7554451, 7551141, 7542201, 7542008, 7531218, 7522055, 7500610, 7489248, 7453705, 7428467, 7417306, 7411503, 7385284, 7377445, 7364084, 7353598, 7342490, 7324061, 7321159, 7301458, 7295114, 7288432, 7265675, 7262686, 7260882, 7253735, 7244326, 7218327, 7214569, 7199527, 7193504, 7173528, 7172910, 7172789, 7141176, 7113250, 7101502, 7080444, 7070851, 7068224, 7046328, 6998644, 6988667, 6985361, 6980184, 6970219, 6952157, 6942155, 6933848, 6927085, 6816380, 6780696, 6731353, 6693384, 6683663, 6665044, 6657289, 6623579, 6606247, 6606079, 6590346, 6586338, 6566744, 6555408, 6527964, 6479395, 6468638, 6420266, 6316278, 6291896, 6281038. Other patents pending.

This product is licensed under patents of Round Rock Research, LLC, for use solely with UHF RFID Readers (such as Alien reader products) that are licensed under an agreement with Round Rock Research, LLC.



Alien Technology
18220 Butterfield Blvd.
Morgan Hill, CA 95037
866-RFID NOW
www.alientechnology.com